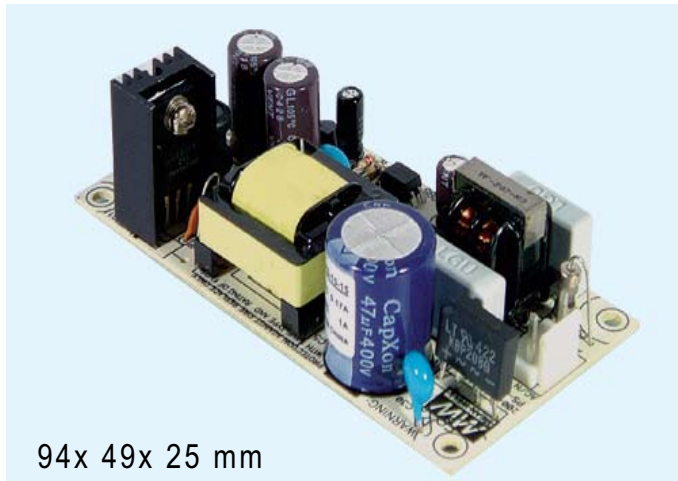


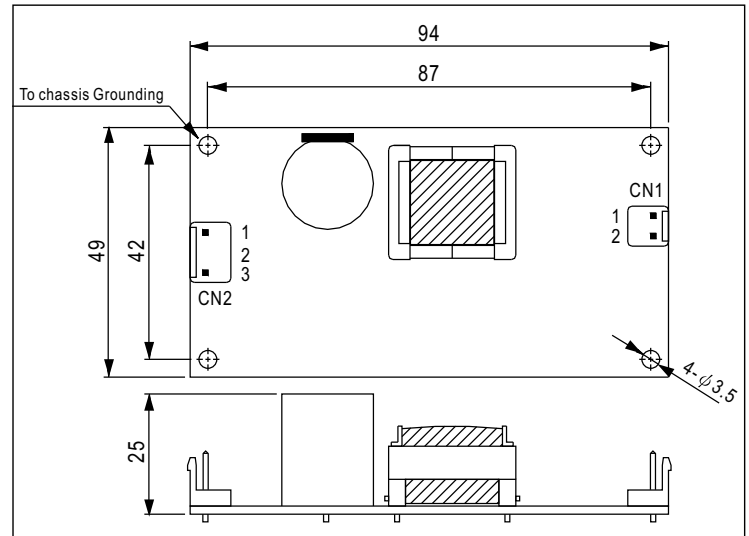
# 15W Single Output Switching Power Supply

- Universal AC input / Full range
- Protections: Short circuit / Overload / Over voltage / Over temp.
- Cooling by free air convection
- Fixed switching frequency at 67KHz
- Low leakage current <0.5mA
- 100% full load burn-in test
- Low cost, high reliability
- 2 years warranty

**CB CE**



94x 49x 25 mm



AC input voltage range .....	85~264VAC; 120~370VDC
AC inrush current .....	Cold start, 40A at 230VAC
Overload protection .....	>105% hiccup mode, auto-recovery
Over voltage protection .....	115%~135% rated output voltage
Over temp. protection .....	U1, Tj:140°C, hiccup mode, auto-recovery
Leakage current .....	Less than 0.5mA at 240VAC
Withstand voltage .....	I/P-O/P: 3KVAC, I/P-FG:1.5KVAC, 1minute
Working temperature .....	-10~60°C (refer to output derating curve)
Safety standards .....	EN60950-1 CB approval by TUV
EMC standards .....	EN55022 class B, EN61000-3-2,3, EN61000-4-2,3,4,5,6,8,11
Connection .....	3P, 2P/ 3.96mm pitch, JST B3P/B2P-VH
Packing .....	0.083kg ; 120pcs / 10.96kg

Stock No.	Model No.	Output	Tol.	R&N	Effi.
12641	PS-15-5	5V, 0~2.80A	±2%	100mV	74%
12642	PS-15-12	12V, 0~1.25A	±2%	120mV	77%
12643	PS-15-15	15V, 0~1.00A	±2%	120mV	78%
12644	PS-15-24	24V, 0~0.625A	±2%	150mV	79%
12645	PS-15-48	48V, 0~0.313A	±2%	200mV	77%